



Technical Data

Mains Heat Alarm

Brief product description:

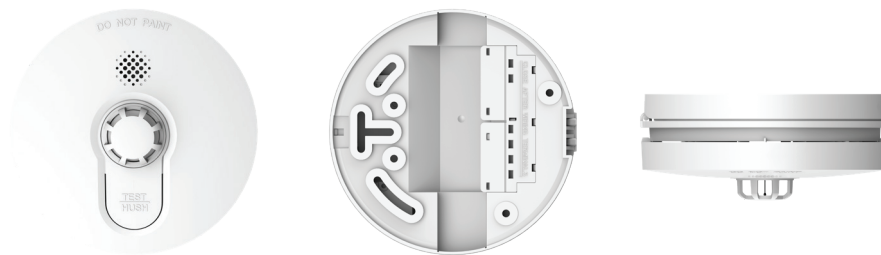
The BG mains powered heat alarm can be used to provide safety where a smoke alarm may not be suitable.

Heat alarms are ideal for use in kitchens and other rooms where smoke or steam may be present, and will alert you if there is a significant rise in temperature which may indicate a fire is about to break out. This alarm can be interconnected with the wider range of BG interconnected alarms for complete coverage.

Features:

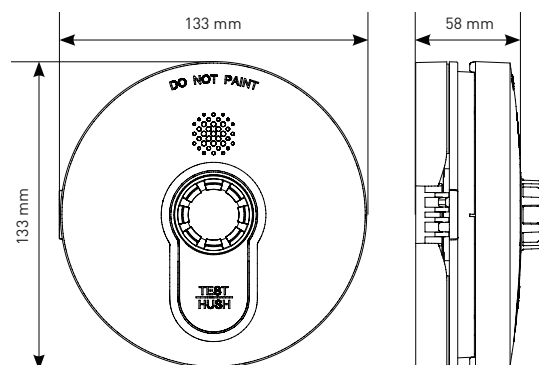
- Hardwired heat alarm wires directly in to your home electric system
- Interconnecting: connect up to 24 heat and smoke alarms, or up to 12 alarms when including a CO alarm
- Dust cover (included) prevents contamination of the device during installation
- 9V battery back up ensures the alarm will operate if mains power is lost
- Hush function allows the alarm to be temporarily silenced
- Test function, fault and low battery warnings to assist with alarm maintenance

Product Images



SDMHA

Line Diagrams



Safety Warning

All interconnected alarms must be on the same circuit.

A common Neutral must be used for the interconnection to function

DO NOT connect the interconnected wires to Live or Neutral

DO NOT connect these Alarms to any other model produced by another manufacturer. Doing so may damage the Alarms and could result in a shock or fire hazard

Wiring should be in accordance with the latest edition of the IET regulations (BS 7671)



Mains Heat Alarm

Technical Specifications

Standard(s)	BS 5446-2:2003
Classification	Class 2
Mains Power	220-240V~50Hz, 60mA
Battery Backup	9V DC
Capacity	20-40m ²
Alarm Volume	85dB(A) at 3m
Operating Temperature	0°C to 40°C
Ambient Humidity	5~95%
Alarm Sensitivity	54°C~70°C
Sound Pattern	ISO8201(BI 0.5s - pause 0.5s - BI 0.5s - pause 0.5s - BI 0.5s - pause 1.5s, with the RED LED flashing, repeat this alarm pattern)
Interconnecting	Connect up to 24 heat and smoke alarms, or up to 12 alarms when including a CO alarm
Mounting Position	Ceiling (distance from side wall should be over 30cm)
Wiring	Use a minimum of 1.5mm ² 250V insulated wire for all wiring, including interconnecting wiring
Max Wiring Length	150m between first and last alarm
Product Lifetime	10 Years
RoHS Directive	Yes
WEEE Directive	Yes



Packaging Information

Cat No.	Description	Packaging Type			Pack Quantity			Barcode		
		Product	Inner Box	Outer Box	Each	Inner Box	Outer Box	Individual	Inner Box	Outer Box
SDMHA	Mains Heat Alarm	Colour Box	Carton	Carton	1	6	48	5015056531892	5015056531946	5015056531991

Weights & Dimensions

Cat No.	Description	Dimensions (H x W x D) cm				Weight (kg)				CBM (m ³)
		Unpacked Product	Packed Product	Inner Box	Outer Box	Unpacked Product	Packed Product	Inner Carton	Outer Box	Outer Box
SDMHA	Mains Heat Alarm	13.3 x 13.3 x 5.8	14.5 x 7x 14.5	30 x 22.5 x 16	62 x 47 x 34.5	0.264	0.329	2.40	20	0.10053